



## Innovation in Antenna Technology



### INNOVATIVE

The Mobile WorldSpace antenna provides advanced RF performance while maintaining an aesthetic, low-profile design. It is the only L-band antenna specifically designed for mobile WorldSpace applications with a mount tailored for installation on boats.

### RECEPTION

The omni-directional antenna provides full azimuth coverage with a broad elevation beam to ensure operation over the largest possible coverage area. The omni-directional pattern assures you are always pointing at the satellite. Dual polarization allows reception of all channels.

With a diameter of 30 cm and a thickness of 6 cm, the antenna requires minimal space on the boat. The antenna design provides maximum coverage and seamless integration into the boat aesthetics.

### COMPATIBILITY

The antenna is backward compatible with all WorldSpace mobile receivers, including Tongshi, AMI, and other receivers with the WSMAA-1 adapter.

### INSTALLATION

The standard boat antenna mount allows for easy installation on any boat type. Manual pointing is not required. No matter which direction you travel, you can automatically enjoy the WorldSpace service or maritime weather forecast channel provided by RFI-Marine.

## AVAILABLE ACCESSORIES

### Antenna Power Supply Adapter



WSMAA-1

### Mounting Brackets

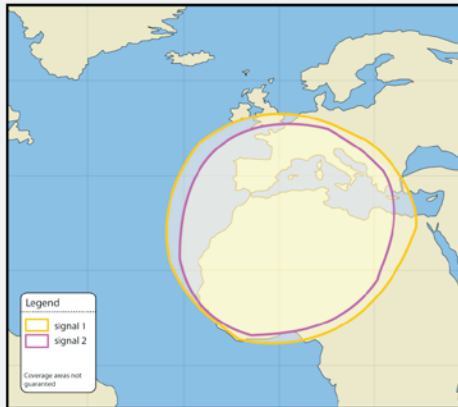


BMB-1

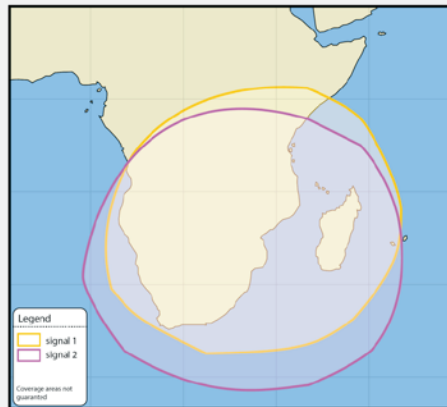


BMB-2

## Predicted Coverage Area - Antenna Horizontal JAST Marine Antenna



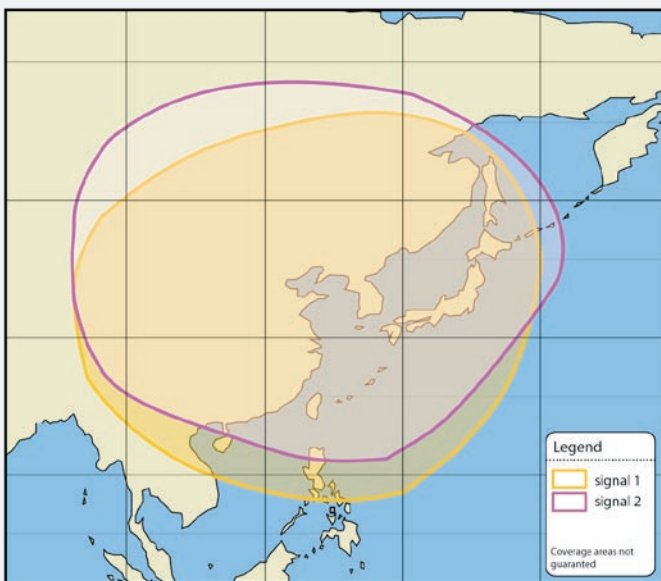
AfriStar North-West



AfriStar North-West



AfriStar North-West



AsiaStar North-West



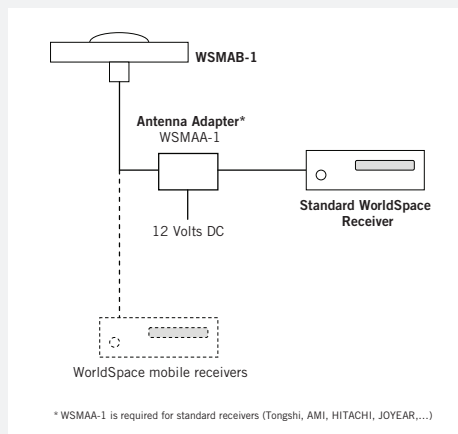
AsiaStar North-West

## SPECIFICATIONS

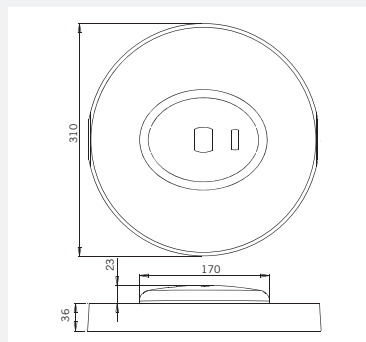
### Antenna Characteristics

<b>Frequency Band</b>	1462 - 1492 MHz
<b>Polarisation</b>	Dual circular RHCP and LHCP
<b>Gain</b>	> 3 dBic for $25^\circ < \text{elevation} < 70^\circ$ $0^\circ < \text{azimuth} < 360^\circ$
<b>Elevation Coverage</b>	$\sim 20^\circ \leq \alpha \leq 70^\circ$ average (Depends on satellite power flux)
<b>Azimuth Coverage</b>	$0^\circ \leq \phi \leq 360^\circ$
<b>Supply Voltage</b>	6-8V (Through coaxial cable)*
<b>Current Consumption</b>	< 150 mA @ 25°C
<b>Noise Figure @ fR</b>	< 0.8 dB @ 25°C
<b>Gain in pass band</b>	27 dB $\pm$ 2 dB
<b>Linearity</b>	IP3=+3 dBm
<b>Temperature Range</b>	-40°C to 80°C
<b>Installation</b>	1"x14 standard boat antenna mounting
<b>Output</b>	5 m RG174 coaxial cable with SMA male connector
<b>Colour</b>	White
<b>Housing Characteristics</b>	Waterproof (IP65) Resistant to salt water and UV radiation

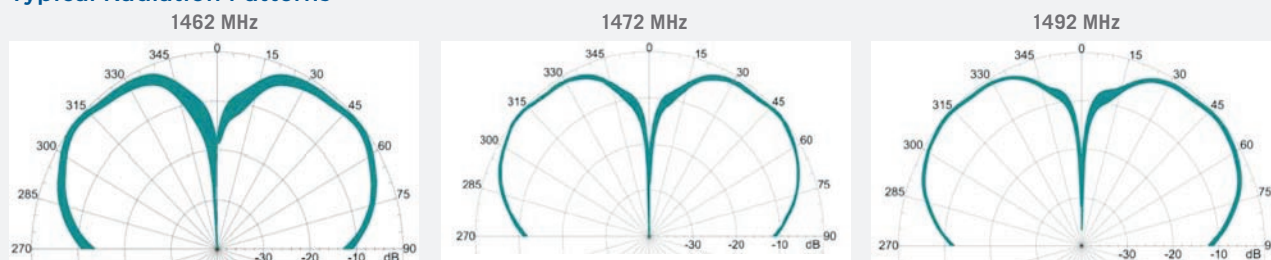
### System Configuration



### Antenna Dimensions



### Typical Radiation Patterns



PSE-C CH-1015 LAUSANNE SWITZERLAND  
**TEL** +41 (0)21 693 89.22 **FAX** +41 (0)21 693 89 20  
**WEB** WWW.JAST.CH **E-MAIL** INFO@JAST.CH