



Innovation in Antenna Technology



The L-band omni-directional antenna provides advanced RF performance while maintaining an aesthetic, low-profile design. The antenna is specifically designed for high-end ground mobile satellite systems such as Thuraya and Iridium. Coverage areas include Europe, North Africa, and the Middle East.

The omni-directional antenna provides full azimuth coverage with a broad elevation beam to ensure operation over the largest possible coverage area. The omni pattern assures you are always pointing at the satellite. Dual polarization allows for simultaneous multi-system operations of L-band communications and navigation systems.

The low profile design of the antenna provides discrete installation on all car types. You can easily install the antenna on any car using the magnetic mount on the bottom of the antenna casing. Since the antenna is omni-directional, no manual pointing is required.

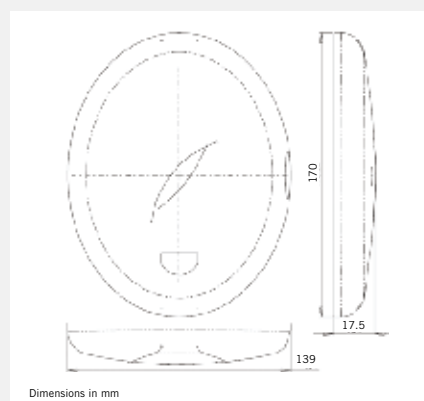
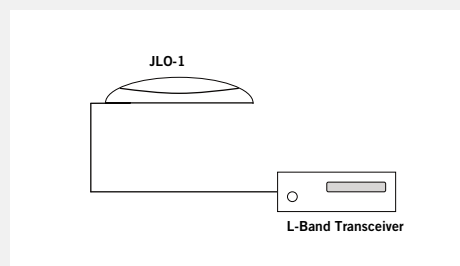
The antenna can be configured to meet specific needs. Custom designs based on a single antenna or a multiple antenna arrays, we can be provided based on your requirements.



SPECIFICATIONS

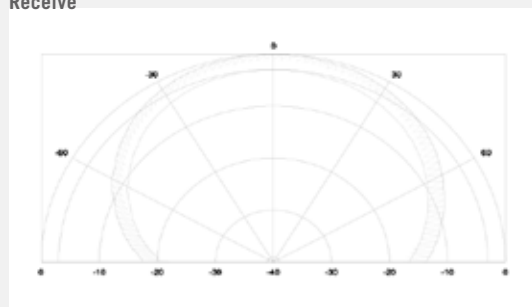
Antenna Characteristics

Frequency RX-Band	1525 - 1560 MHz
Frequency TX-Band	1625 - 1660 MHz
Polarization	Dual circular RHCP and LHCP
Gain	> +2.2 dBic for $45^\circ < \text{elevation} < 90^\circ$ > +4.5 dBic peak @ boresight $0^\circ < \text{azimuth} < 360^\circ$
Azimuth Coverage	$0^\circ \leq \varphi \leq 360^\circ$.
Axial Ratio	< +2dB for $45^\circ < \text{elevation} < 90^\circ$ $0^\circ < \text{azimuth} < 360^\circ$
VSWR	<1.5
Temperature Range	-40°C to 80°C
Installation	magnetic or screw mounting
Output	5 m RG174 (or RG158) coaxial with SMA male connector
Color	White or Black
Housing Characteristics	Waterproof (IP65)

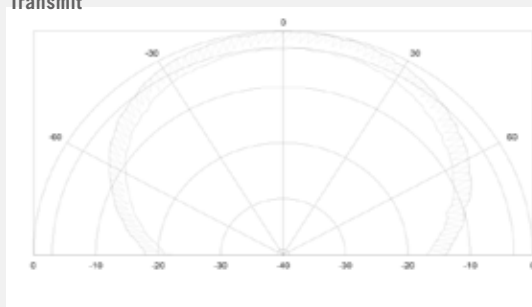


Antenna Radiation Patterns

Receive



Transmit



PSE-C CH-1015 LAUSANNE SWITZERLAND
TEL +41 (0)21 693 89.22 FAX +41 (0)21 693 89 20
WEB WWW.JAST.CH E-MAIL INFO@JAST.CH